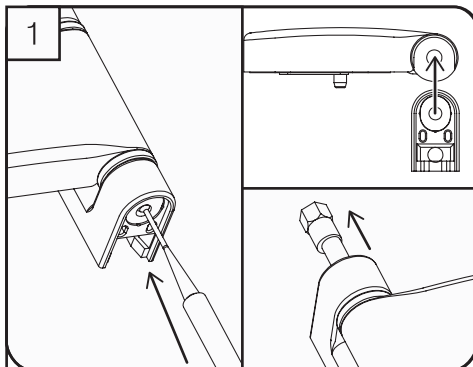
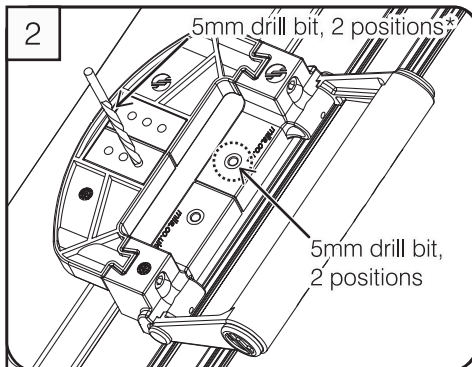


CE	MILA, DAVENTRY, NN11 8RB. UK	14
1121-CPR-AC5051	EN1935: 2002	2 7 3 0 1 4 0 10

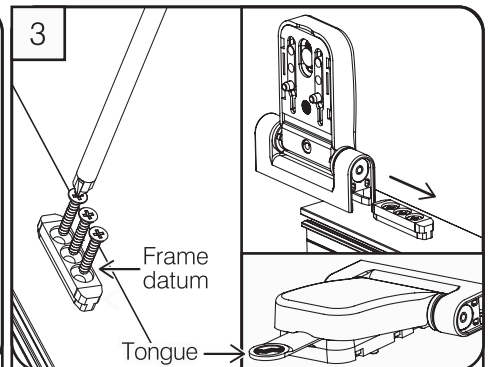
## ProSecure Door Hinge Fitting Instructions



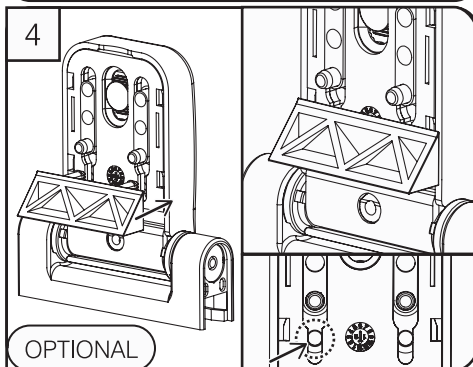
1  
As default the hinge will be set as right handed. To change first ensure that sash part is at a right angle to frame part and push out the pin from bottom. Then reverse sash and refit pin.



2  
Using the Mila jig for alignment, drill holes for frame part and if fitting \*optional fixing pegs drill the sash part choosing the most suitable position for the pins on the profile.

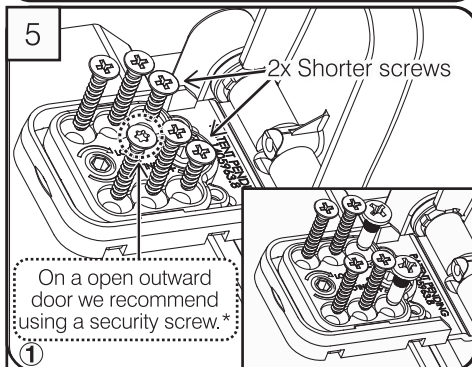


3  
Fit the frame datum into the drilled 5mm holes and screw in place. Take hinge and align the aperture in the frame part and slide into position. Lift sash cover and remove tongue.



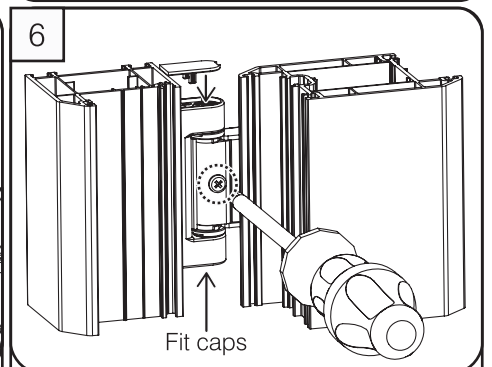
OPTIONAL

If required an optional profile dedicated packer can be fitted. Align pegs with holes in hinge and push to insert for positive fit.



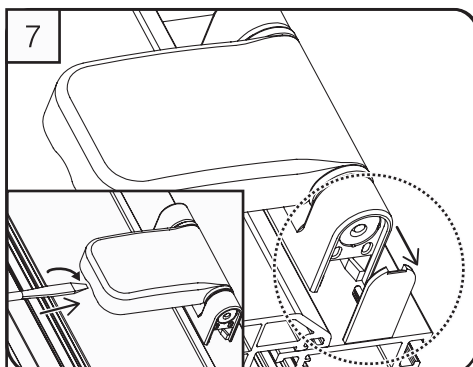
On a open outward door we recommend using a security screw.\*

5  
(1) Secure using 4x long screws & 2x short screws. Or (2) Use 4x long screws & 2x supplied fixing pegs. Close cover.  
**\*Security screw NOT supplied.**

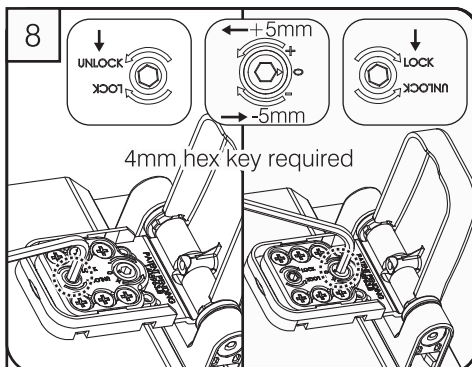


6  
Open the sash to gain access to the security screw location and using screw provided fix in place to secure cover and hinge pin.

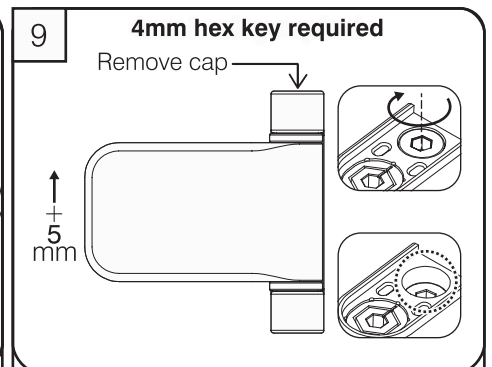
## ProSecure Door Hinge Adjusting Instructions



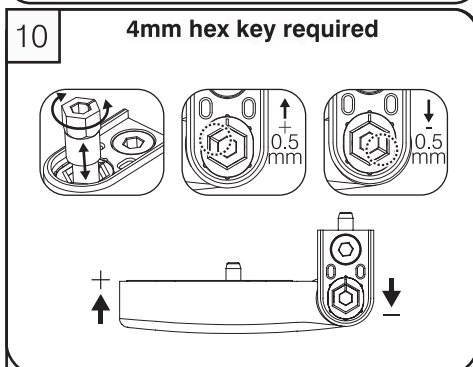
7  
To release cover remove security screw from under the hinge and then insert 5mm blade screwdriver and twist. Use small blade screw driver to release cover caps.



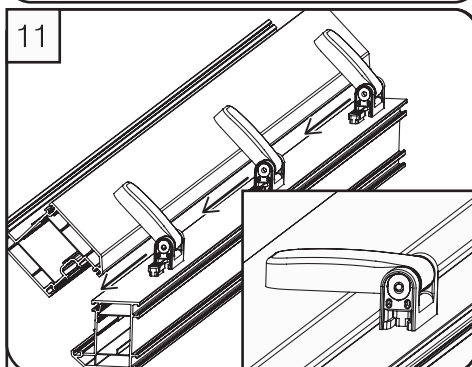
8  
To adjust lateral position, first turn the unlock screw a 1/4 turn. Then use the adjustment screw to adjust up to 5mm in either direction. Finally tighten lock screw.



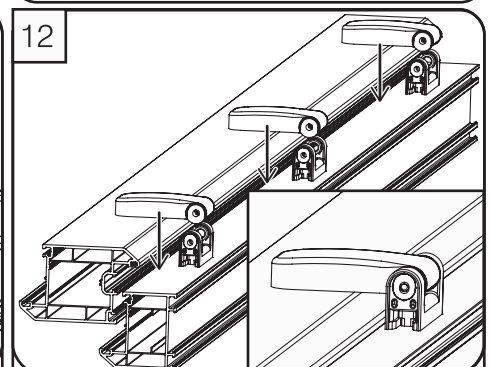
9  
Height adjustment: Using a 4mm hex key turn the screw down to lift the hinge by up to 5mm.



10  
Compression adjustment: Push out hinge pin and turn to alter compression.



11  
The sash can be removed and fitted when in an open position by lifting or lowering the sash assembly onto the frame datum.



12  
Alternatively the sash can be removed and fitted in the closed position by removing the security screws and hinges pins and then lifting the sash off the frame part.