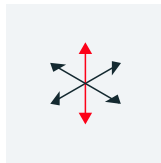
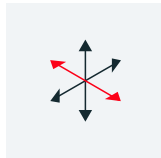


Symbols for the sash adjustment when installed

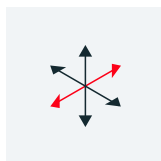
These symbols facilitate the orientation while adjusting the window sashes after installation with the following steps. Use a 4 mm Allen key as tool.



Height adjustment



Lateral adjustment

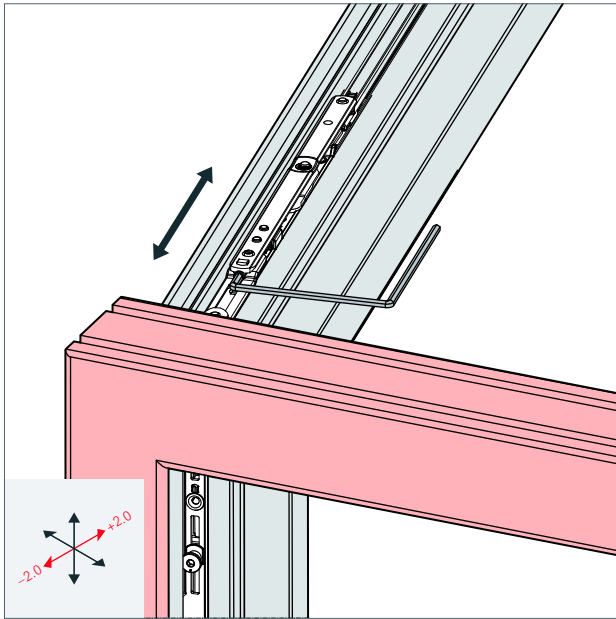


Gasket-compression adjustment

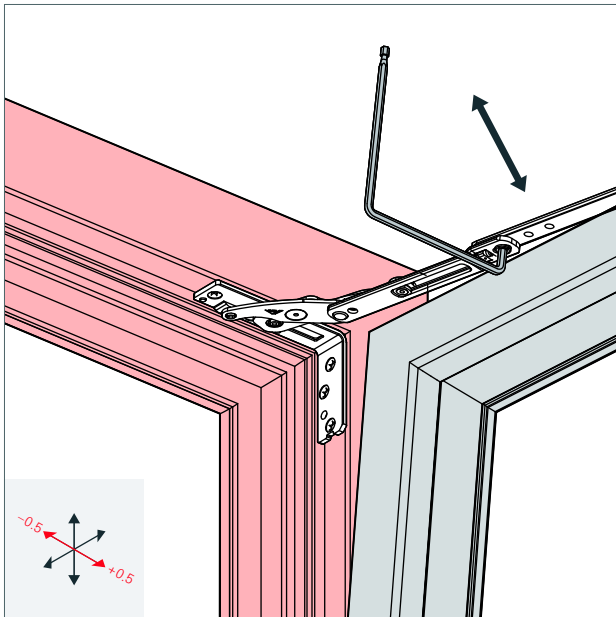


NOTE!

Adjusting Roto hardware components may only be carried out by authorised and qualified personnel.



Lateral adjustment

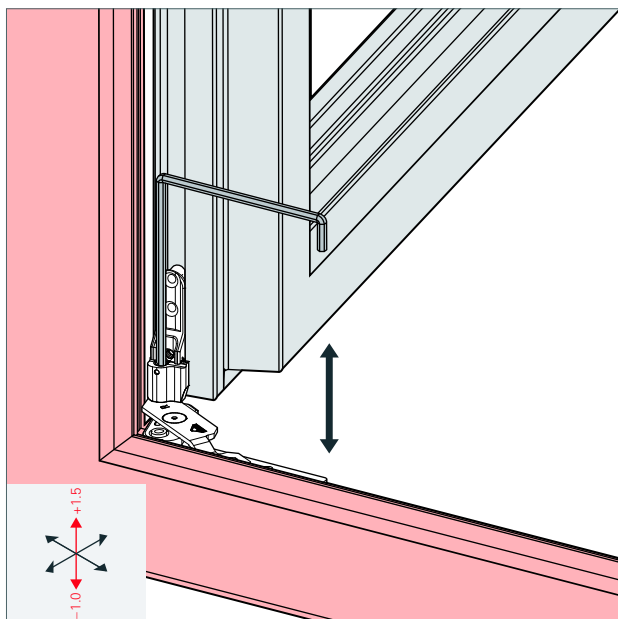


Gasket-compression adjustment

Adjustment

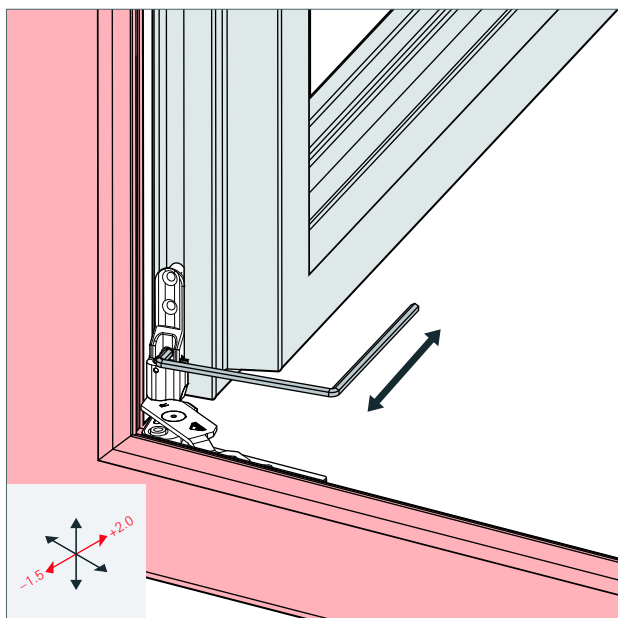
Adjustment instructions

Pivot rest / corner hinge

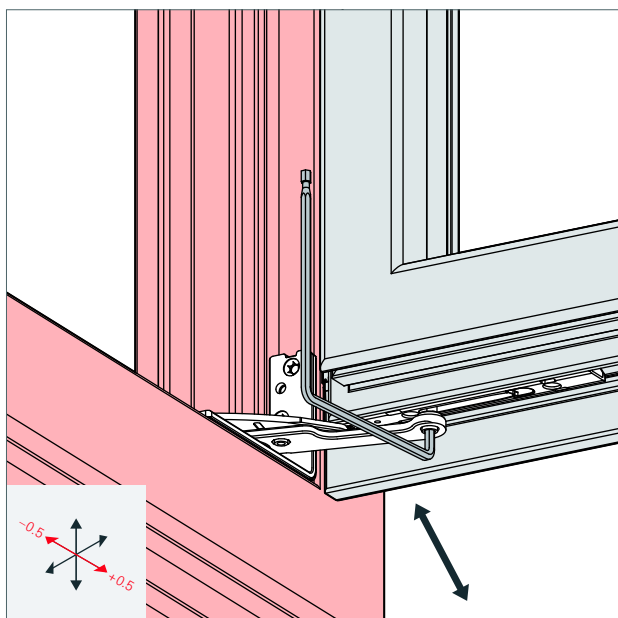


Height adjustment

After the height adjustment, the load transfer device has to be readjusted (refer to page 69).



Lateral adjustment



Gasket-compression adjustment



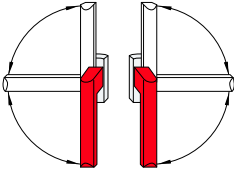
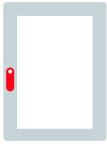

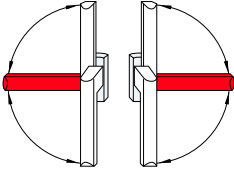
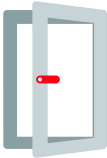

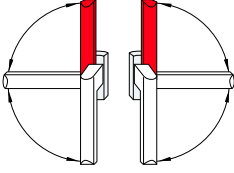
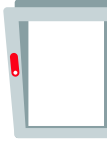



Locking cam adjustment instructions					
Cam type	Adjustment range	Gasket compression	Height	Side view	Tools
E cam					
		+ / - 0.8 mm			
P cam					
		+ / - 0.8 mm			
V cam					
Cam type	Adjustment range	Gasket-compression adjustment in mm	Height adjustment in mm	Side view / top view	Tools
		+ / - 0.8 mm	+ / - 0.2 mm		
		-	+ / - 0.4 mm		
		+ / - 0.8 mm	+ / - 0.6 mm		
		-	+ / - 0.8 mm		
		-	+ / - 0.8 mm		

Operation

Operating information


Handle positions of Tilt&Turn hardware

The following symbols show the different handle positions and the resulting sash positions of windows and balcony doors.

Handle position	Sash position	Symbol	Meaning
			Closed position of the sash
			Opened turn position of the sash
			Opened tilt position of the sash
			Malpositioning of the sash

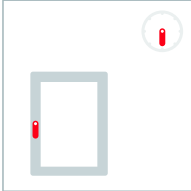


The following symbols and signs can be used on windows and balcony doors to protect the end-user.
Please order stickers separately (OPR_14_DE-EN_v1, OPR_15_DE-EN_v1).

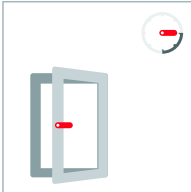


Drehkipp-Beschlag
Tilt&Turn hardware

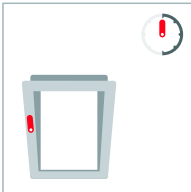
geschlossen
closed



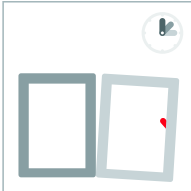
öffnen
open



kippen
tilt



Fehlschaltungen vermeiden
Avoid mishandling mode!



08/2012 OPR_14_DE-EN_v1



TiltFirst-Beschlag
TiltFirst hardware

geschlossen
closed



kippen
tilt



öffnen
open



Fehlschaltungen vermeiden
Avoid mishandling mode!



08/2012 OPR_15_DE-EN_v1